



- Piezoresistive silicon pressure sensor produced by MEMS technology
- M20x1.5, G1/2, G1/4, G1/4 female, NPT1/4, NPT1/4 female, M12X1 and R1/4 female mechanical connection options
- Long life, excellent stability for many years
- EMC, short circuit and reverse polarity protection
- 4...20mA, 0...5VDC or 1...5VDC analog output options
- High Sensitivity: 0,5% FS
- Easy installation

BFT 210 Differential Pressure Transmitter is produced using an oil-filled OEM piezoresistive silicon differential pressure sensor. It has strong corrosion resistance with its stainless steel body. The two pressure ports are threaded and can be mounted directly on the measuring pipe or connected through the pressure pipe. It also has standard analog voltage and current output options. These sensors are generally used in process control, aerospace, automotive, medical equipment, HVAC etc. used in areas.

### TECHNICAL SPECIFICATIONS

|  |   |
|--|---|
| <b>Differential pressure measuring range</b> | Different options from 100 mBar to 25 Bar                                   |
| <b>Input pressure</b>                        | Up to 0-200 Bar   |
| <b>Supply and Output</b>                     | 4~20mA (16~36VDC)<br>1~5V, 0~5V (12~36VDC)                                  |
| <b>Mechanical connection</b>                 | M20x1.5, G1/2, G1/4, G1/4 female, NPT1/4, NPT1/4 female, M12X1, R1/4 female |
| <b>Electrical connection</b>                 | DIN43650 female connector   |
| <b>Accuracy</b>                              | 0,5%FS  |
| <b>Response time</b>                         | 1 ms (up to 90%FS)  |
| <b>Service life</b>                          | ≥ 10x10 <sup>6</sup> pressure cycles  |
| <b>Operating temperature</b>                 | -10°C ... +70°C   |
| <b>Storage temperature</b>                   | -40°C ... +125°C  |
| <b>EMC-interference</b>                      | IEC 61000-6-3   |
| <b>EMC-immunity</b>                          | IEC 61000-6-2   |
| <b>Insulation resistance</b>                 | 200MΩ/250VDC  |
| <b>Shock resistance</b>                      | 100g(11ms)  |
| <b>Material</b>                              | Stainless Steel 304   |
| <b>Max. mounting torque</b>                  | 25Nm  |
| <b>Protection class</b>                      | IP65  |
| <b>Weight</b>                                | 470 grams   |

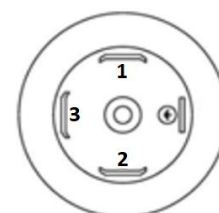
### ELECTRICAL CONNECTIONS

#### 0-5VDC or 1-5VDC Connections (3-wire)

| Pin No | Signal                            |
|--------|-----------------------------------|
| 1      | +VDC Supply                       |
| 2      | GND                               |
| 3      | 0...5VDC / 1...5VDC Analog Output |

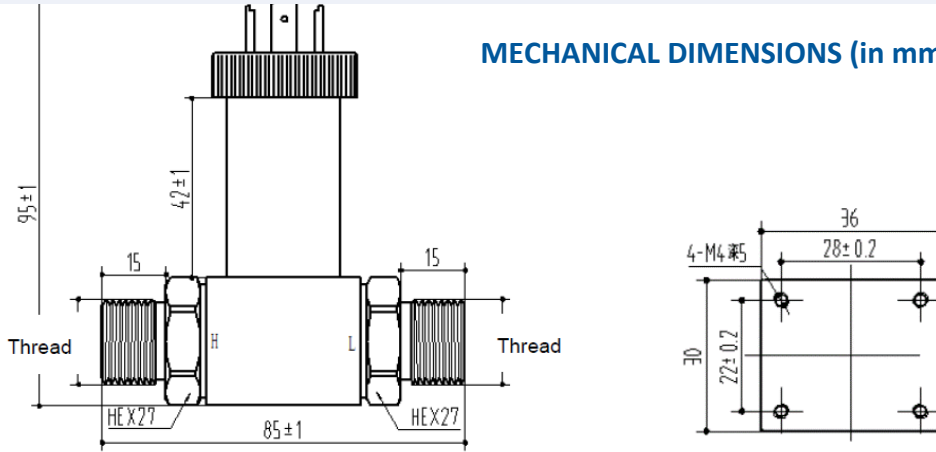
#### 4-20mA Connections (2-wire)

| Pin No | Signal                 |
|--------|------------------------|
| 1      | +VDC Supply            |
| 2      | 4...20mA Analog Output |



**DIN43560 Connector**

**MECHANICAL DIMENSIONS (in mm)**



**MECHANICAL CONNECTIONS**

| Connector          | M20x1.5-6g   | G1/2        | G1/4          |
|--------------------|--------------|-------------|---------------|
| Dimensions (mm)    |              |             |               |
| Recommended Torque | 15~25Nm      | 15~25Nm     | 15~25Nm       |
| Connector          | NPT1/4, Z1/4 | G1/4 Female | NPT1/4 Female |
| Dimensions (mm)    |              |             |               |
| Recommended Torque | 15~25Nm      | 15~25Nm     | 15~25Nm       |
| Connector          | M12x1        | R1/4 Female |               |
| Dimensions (mm)    |              |             |               |
| Recommended Torque | 15~25Nm      | 15~25Nm     |               |

## PRESSURE RANGE SELECTION

| Pressure Range Code | Pressure Range | Positive Overpressure | Negative Overpressure |
|---------------------|----------------|-----------------------|-----------------------|
| 0,1B                | 0 ~ 0,1 bar    | 300%FS                | 300%FS                |
| 0,2B                | 0 ~ 0,2 bar    | 300%FS                | 300%FS                |
| 0,35B               | 0 ~ 0,35 bar   | 300%FS                | 300%FS                |
| 0,7B                | 0 ~ 0,7 bar    | 300%FS                | 300%FS                |
| 1B                  | 0 ~ 1 bar      | 300%FS                | 300%FS                |
| 2B                  | 0 ~ 2 bar      | 300%FS                | 300%FS                |
| 2.5B                | 0 ~ 2.5 bar    | 200%FS                | 200%FS                |
| 5B                  | 0 ~ 5 bar      | 200%FS                | 200%FS                |
| 6B                  | 0 ~ 6 bar      | 200%FS                | 200%FS                |
| 10B                 | 0 ~ 10 bar     | 200%FS                | 150%FS                |
| 16B                 | 0 ~ 16 bar     | 200%FS                | 150%FS                |
| 25B                 | 0 ~ 25 bar     | 200%FS                | 150%FS                |

## ORDER CODE

### Model

**BFT10-210** : Current output  
**BFT20-210** : Voltage output

**BFTXX- 210**

**25B**

### Pressure

Different options from 100 mBar to 25 Bar

### Output Signal

V1 : 0-5 VDC Analog Voltage  
 A : 4-20 mA Analog Current  
 \*Please ask for other options.

**A**

### Electrical Connection

S : DIN43650 Female Connector  
 \*Please ask for other options.

**S**

### Mechanical Connection

M20x1,5  
 G1/2  
 G1/4  
 G1/4 Female  
 NPT1/4  
 NPT1/4 Female  
 M12x1  
 R1/4 Female

**G1/2**