

2160 HIGH CAPACITY COLUMN LOAD CELL (U.S. & METRIC)

FEATURES & BENEFITS

- Capacities from 300K to 1000K (1335 to 4450 kN)
- Performance to $\pm 0.15\%$ FS
- Compact size
- Metric and English models

SPECIFICATIONS

ACCURACY – (MAX ERROR)		
Nonlinearity – %FS		± 0.15
Hysteresis – %FS		± 0.05
Nonrepeatability – %RO		± 0.03
Creep, in 20 min – %		± 0.05
TEMPERATURE		
Compensated Range	°F	+32 to +132
	°C	0 to +56
Operating Range	°F	-30 to +200
	°C	-34 to +93
Effect on Zero – %RO / def	°F	+0.003
Effect on Output – % / deg	°F	+0.003
ELECTRICAL		
Rated Output – mV/V NOM		2.0
Excitation – VAC / VDC – NOM		10
Excitation – VAC / VDC – MAX		15
Bridge Resistance – Ohm NOM		350
Zero Balance – %RO		± 1.0
Insulation Resistance – Megohm		> 5000
MECHANICAL		
Safe Overload – %CAP		150
Connector		MS3102A-14S-5P
Material		Alloy steel

Notes:
 – Compression-Only available. Ask factory for specifications and dimensions.
 – Consult factory for more technical information.

STANDARD CONFIGURATION



Model 2160 (Shown)

OPTIONS

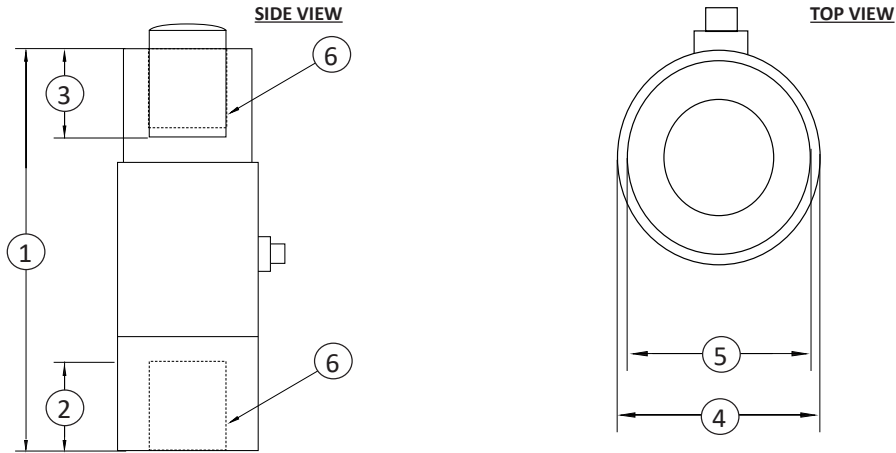
- Compression-only available. Ask factory for specifications and dimensions.
- Multiple bridge
- Standardized output
- ASTM E74 calibration
- Special thread size
- Handles

ACCESSORIES

- Mating connector
- Cable assembly

International System of Units (SI) dimensions and capacities are provided for conversion only. Standard products have U.S. capacities and dimensions. SI capacities available upon special request and at an additional cost.

2160 HIGH CAPACITY COLUMN LOAD CELL (U.S. & METRIC)



DIMENSIONS

See Drawing	CAPACITY											
	U.S. (lbf)	Metric (kN)	U.S. (lbf)	Metric (kN)	U.S. (lbf)	Metric (kN)	U.S. (lbf)	Metric (kN)	U.S. (lbf)	Metric (kN)	U.S. (lbf)	Metric (kN)
	in	mm	in	mm	in	mm	in	mm	in	mm	in	mm
(1)	16.50	419.1	19.00	482.6	21.26	540.0	23.25	590.6	25.50	647.7	27.80	706.1
(2)	3.75	95.3	4.00	101.6	4.50	114.3	5.00	127.0	5.50	139.7	6.50	165.1
(3)	3.75	95.5	4.00	101.6	4.50	114.3	5.00	127.0	5.50	139.7	6.50	165.1
(4)	5.50	139.7	5.50	139.7	6.00	152.4	7.00	177.8	7.50	190.5	9.50	241.3
(5)	5.00	127.0	5.00	127.0	5.50	139.7	6.50	165.1	7.00	177.8	9.00	228.6
(6)	3 ½-12	M76x2	3 ½-12	M90x2	4-12	M100x2	4 ½-8	M100x2	5-8	M125x4	6-8	M125x4