

## FEATURES & BENEFITS

- Capacities from 5 to 250 lbf (22.2 to 1.11 kN)
- Proprietary Interface temperature compensated strain gages
- Performance to 0.03%
- Low height – 0.99 in (25.1 mm)
- 0.0008%/°F temp. effect on output

## STANDARD CONFIGURATION



Model MB-50 (Shown)

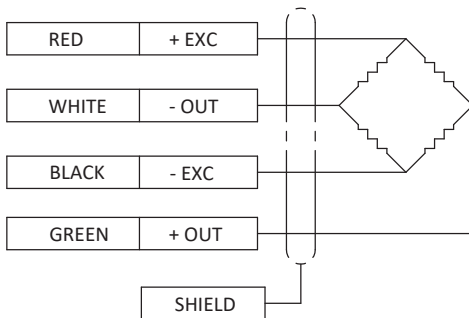
## OPTIONS

- Cable length
- Standardized output
- Custom calibration
- Add connector to cable
- Special temperature range
- Transducer Electronic Data Sheet (TEDS)

## ACCESSORIES

- Instrumentation

## WIRING DIAGRAM



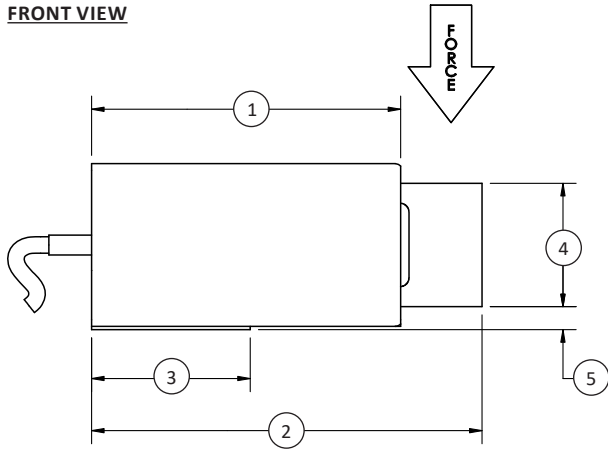
COMPRESSION UPSCALE

## SPECIFICATIONS

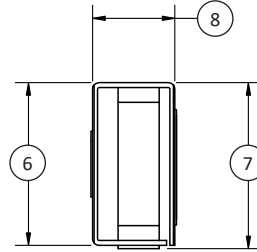
ACCURACY – (MAX ERROR)				
Nonlinearity – %FS		±0.03		
Hysteresis – %FS		±0.02		
Nonrepeatability – %RO		±0.01		
Creep, in 20 min – %		±0.025		
TEMPERATURE				
Compensated Range	°F	0 to 150		
	°C	-17 to 65		
Operating Range	°F	-65 to 200		
	°C	-53 to 93		
Effect On Output – % / deg		°F	±0.0008	
Effect On Zero – %RO / deg		°F	±0.0015	
ELECTRICAL				
Rated Output – mV/V (Nominal)		3.0		
Zero Balance – %RO		±1.0		
Bridge Resistance – Ohm (Nominal)		350		
Excitation Voltage – VDC MAX		15		
Insulation Resistance – Megohm		5000		
MECHANICAL				
Calibration		Compression		
Safe Overload – %CAP		±150		
Material		Aluminum		
Cable Length	ft	5		
	m	1.5		
NATURAL FREQUENCY/DEFLECTION				
lbf	N	Deflection (in)	Deflection (mm)	Nat. Freq. (Hz)
5	22.2	0.005	0.127	950
10	44.5	0.005	0.127	1300
25	111	0.005	0.127	2250
50	222	0.004	0.102	3300
75	334	0.004	0.102	3900
100	445	0.005	0.127	4000
150	667	0.005	0.127	4750
250	1.11K	0.005	0.127	4400

International System of Units (SI) dimensions and capacities are provided for conversion only. Standard products have U.S. capacities and dimensions. SI capacities available upon special request and at an additional cost.

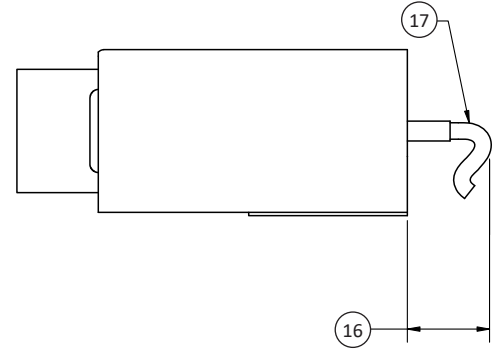
**FRONT VIEW**



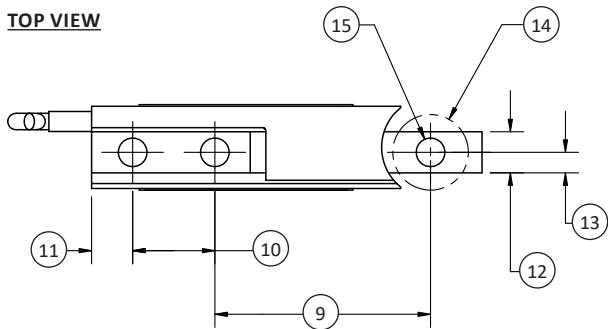
**SIDE VIEW**



**BACK VIEW**



**TOP VIEW**



## DIMENSIONS

See Drawing	CAPACITY													
	U.S. (lbf)	Metric (N)	U.S. (lbf)	Metric (N)	U.S. (lbf)	Metric (N)	U.S. (lbf)	Metric (N)	U.S. (lbf)	Metric (N)	U.S. (lbf)	Metric (N)	U.S. (lbf)	Metric (N)
	in	mm	in	mm	in	mm	in	mm	in	mm	in	mm	in	mm
(1)	1.88	47.8	1.88	47.8	1.88	47.8	1.88	47.8	1.88	47.8	1.88	47.8	1.88	47.8
(2)	2.38	60.3	2.38	60.3	2.38	60.3	2.38	60.3	2.38	60.3	2.38	60.3	2.38	60.3
(3)	0.97	24.5	0.97	24.5	0.97	24.5	0.97	24.5	0.97	24.5	0.97	24.5	0.97	24.5
(4)	0.75	19.1	0.81	20.6	0.72	18.3	0.75	19.1	0.78	19.8	0.82	20.8	0.79	20.1
(5)	0.14	3.6	0.11	2.8	0.15	3.8	0.14	3.6	0.13	3.3	0.10	2.5	0.12	3.0
(6)	0.99	25.1	0.99	25.1	0.99	25.1	0.99	25.1	0.99	25.1	0.99	25.1	0.99	25.1
(7)	1.01	25.7	1.01	25.7	1.01	25.7	1.01	25.7	1.01	25.7	1.01	25.7	1.01	25.7
(8)	0.50	12.7	0.50	12.7	0.50	12.7	0.50	12.7	0.50	12.7	0.50	12.7	0.75	19.1
(9)	1.31	33.3	1.31	33.3	1.31	33.3	1.31	33.3	1.31	33.3	1.31	33.3	1.31	33.3
(10)	0.50	12.7	0.50	12.7	0.50	12.7	0.50	12.7	0.50	12.7	0.50	12.7	0.50	12.7
(11)	0.25	6.4	0.25	6.4	0.25	6.4	0.25	6.4	0.25	6.4	0.25	6.4	0.25	6.4
(12)	0.25	6.4	0.25	6.4	0.25	6.4	0.25	6.4	0.25	6.4	0.25	6.4	0.50	12.7
(13)	0.13	3.2	0.13	3.2	0.13	3.2	0.13	3.2	0.13	3.2	0.13	3.2	0.25	6.4
(14)	R0.23 Radial Clearance Around Load Hole (R5.8 Radial Clearance Around Load Hole)													
(15)	3x Ø0.17	3x Ø4.4	3x Ø0.17	3x Ø4.4	3x Ø0.17	3x Ø4.4	3x Ø0.17	3x Ø4.4	3x Ø0.17	3x Ø4.4	3x Ø0.17	3x Ø4.4	3x Ø0.17	3x Ø4.4
(16)	0.50 Integral Cable Bend Clearance (12.7 Integral Cable Bend Clearance)													
(17)	Shielded Cable 0.13 O.D. 4 Conductor 28 Gage 5 FT Length (Shielded Cable 3.3 O.D. 4 Conductor 28 Gage 1.5M Length)													

International System of Units (SI) dimensions and capacities are provided for conversion only. Standard products have U.S. capacities and dimensions. SI capacities available upon special request and at an additional cost.