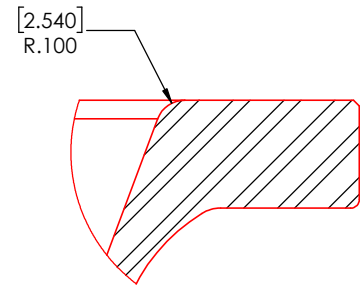
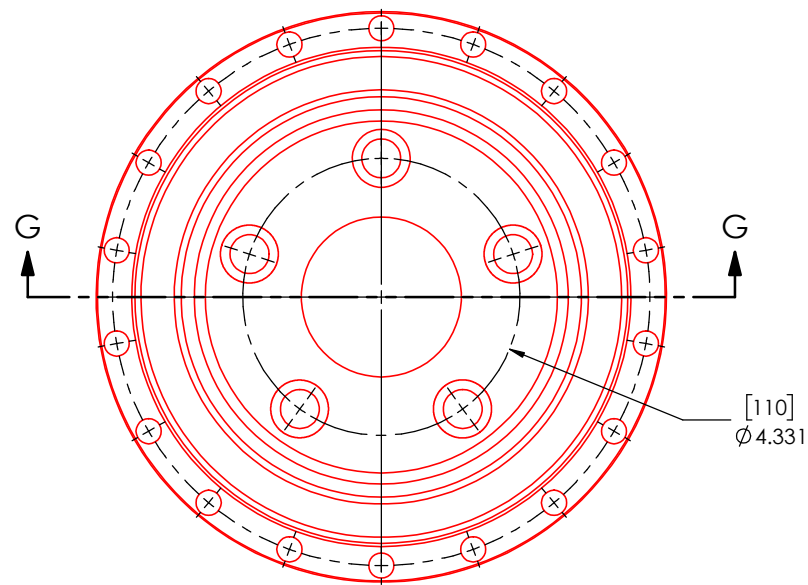
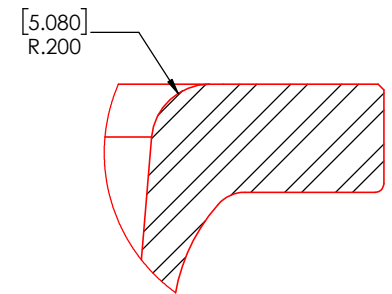
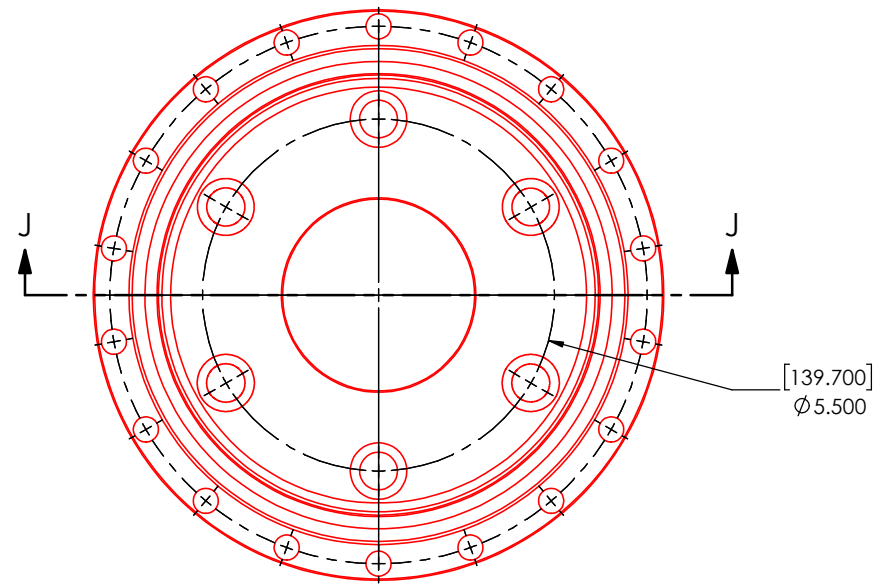


LW12.8-50 HUB ADAPTER Design Guide

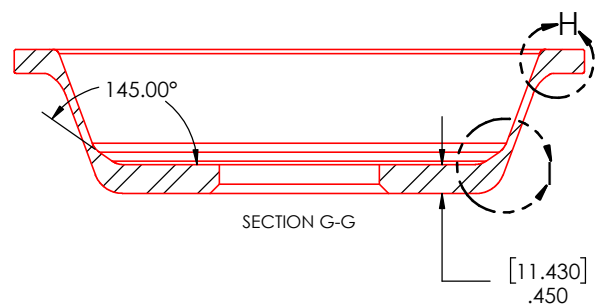
Note: Blue dimension are CRITICAL and CANNOT change. Black dimensions can change.



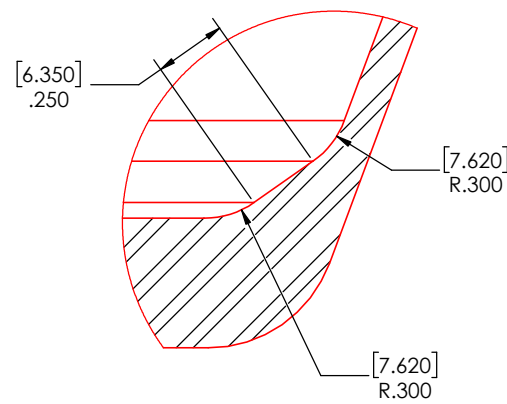
DETAIL H
SCALE 3 : 1



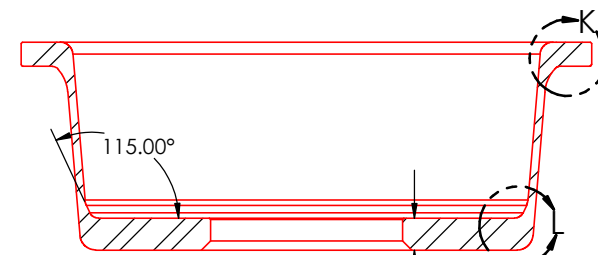
DETAIL K
SCALE 3 : 1



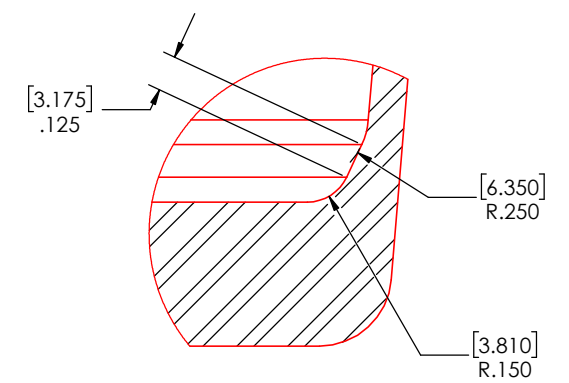
SECTION G-G



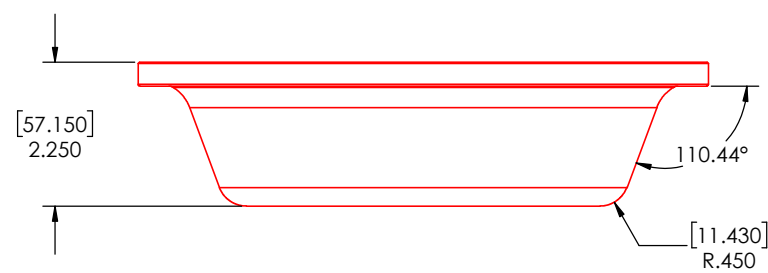
DETAIL I
SCALE 3 : 1



SECTION J-J



DETAIL L
SCALE 3 : 1



It is essential that the adapters match the recommended guidelines. This will ensure the system can withstand the rated loads and provide the most accurate results. The critical features are shown in blue. Customers may change all other geometry. Examples of permitted changes are shown above.

Details and specifications provided in this document are purely for informational purposes and are subject to alterations. No liability is accepted for errors or omissions. ©2020 Michigan Scientific Corporation

UNLESS OTHERWISE SPECIFIED:		DATE	NAME	MICHIGAN SCIENTIFIC CORPORATION 8500 ANCE ROAD CHARLEVOIX, MICHIGAN 49720 www.michsci.com	
DIMENSIONS ARE IN INCHES (mm)		4/7/2020	JPB/aley	PRODUCT LINE	LW12.8-50
TOLERANCES:		CHECKED	SKR/hudy	CUSTOMER CODE	PROJECT CODE
XXX ±.0010		ENG APPR			
XX ±.005		MFG APPR			
X ±.01					
FRACTIONAL ±					
ANGULAR: MACH ±					
REF: ±					
WEIGHT					
MATERIAL	17-4 H1100	PROPERTY AND CONFIDENTIAL: THE INFORMATION CONTAINED IN THIS DRAWING IS THE SOLE PROPERTY OF MICHIGAN SCIENTIFIC CORPORATION. ANY REPRODUCTION IN PART OR AS A WHOLE WITHOUT THE WRITTEN PERMISSION OF MICHIGAN SCIENTIFIC CORPORATION IS PROHIBITED.			
FINISH		SIZE	DWG. NO.	LW12.8-50 Hub Adapter Design Guide	REV
		SCALE: 2:3			SHEET 2 OF 2