

FEATURES & BENEFITS

- Capacities from 10 to 200 Nm (88.5 to 1.77K lbf-in)
- Very short axial length
- Thru-Hole

SPECIFICATIONS

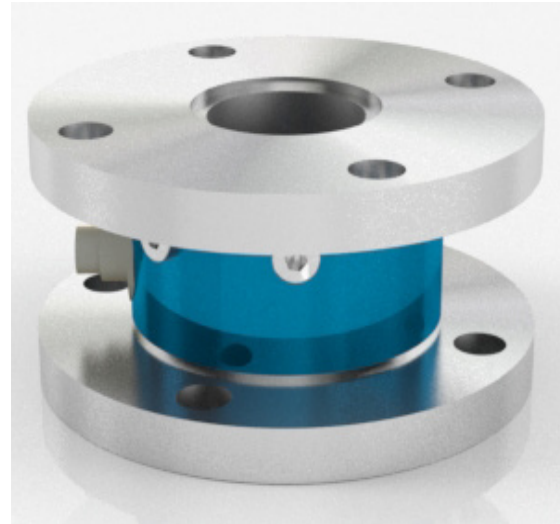
ACCURACY – (MAX ERROR)		
Nonlinearity – %FS		±0.1
Hysteresis – %FS		±0.1
Non-repeatability – % RO		±0.02
TEMPERATURE		
Effect on Zero – %RO/ °C		±0.02
Effect on Output – % / °C		±0.01
Compensated Range	°C	-5 to +45
	°F	+23 to +113
Operating Range	°C	-15 to +55
	°F	+5 to +131
ELECTRICAL		
Output – mV/V ± %		1 ± 0.1
Excitation Voltage – VDC		2-12
Bridge Resistance – Ohm		350
Electrical Connection		7-pin Binder
MECHANICAL		
Safe Overload – %RO		150
Protection Level		IP50

OPTIONS

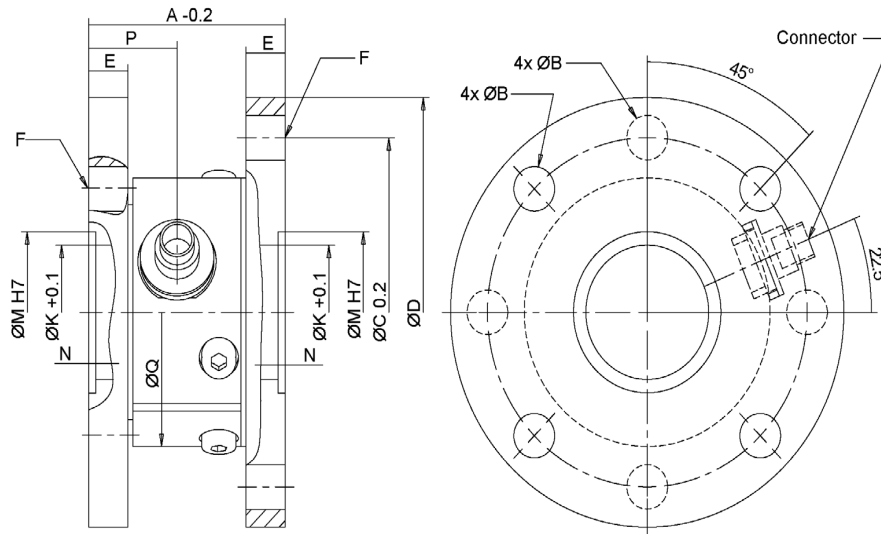
- High accuracy to 0.05% FS
- 100% control signal (internal shunt cal)
- Extended temperature range
- A2LA accredited calibration
- Mating cable (straight or right angle)

PERFORMANCE PARAMETERS

CAPACITY		SPRING RATE	MASS MOMENT OF INERTIA – (Kg•m ²)		MAX THRUST LOAD		MAX SHEAR LOAD	
Nm	lbf-in	NM/rad	Drive Side	Test Side	N	lbf	N	lbf
10	88.5	6,77E+03	1,08E-04	8,83E-05	1100	247	190	42.7
20	177	1,28E+04	1,08E-04	8,83E-05	1600	360	380	85.4
50	443	5,15E+04	1,10E-04	8,87E-05	3100	697	850	191
100	885	9,44E+04	2,83E-04	2,56E-04	2500	562	600	135
200	1.77K	1,97E+05	2,84E-04	2,57E-04	4200	944	1200	270



Model TS20 (shown)



DIMENSIONS

See Drawing	CAPACITIES			
	Metric (Nm)	U.S. (lbf-in)	Metric (Nm)	U.S. (lbf-in)
	10, 20, 30, 50	88.5, 177, 266, 443	100, 200	885, 1.77K
	mm	in	mm	in
(A)	40	1.6	40	1.6
(B)	Ø6.3	Ø0.25	Ø8.3	Ø0.33
(C)	Ø65	Ø2.6	Ø65	Ø2.6
(D)	Ø80	Ø3.1	Ø80	Ø3.1
(E)	8	0.3	8	0.3
(F)	4 x 90°		4 x 90°	
(M)	Ø30	Ø1.819 / 1.1811	Ø30	Ø1.819 / 1.1811
(N)	1.5	0.06	1.5	0.06
(K)	Ø25	Ø1.0	Ø25	Ø1.0
(P)	18	0.7	18	0.7
(Q)	Ø50	Ø2.0	Ø50	Ø2.0

Note:
4 mounting holes per flange 45° offset