

Why the Interface model WMC Miniature Sealed Stainless Steel Load Cell is the best in class:

- Capacities from 500 to 1000g
- Proprietary Interface temperature compensated in gages
- Tension and compression
- Environmentally sealed
- Overload protected to 8x capacity



STANDARD CONFIGURATION

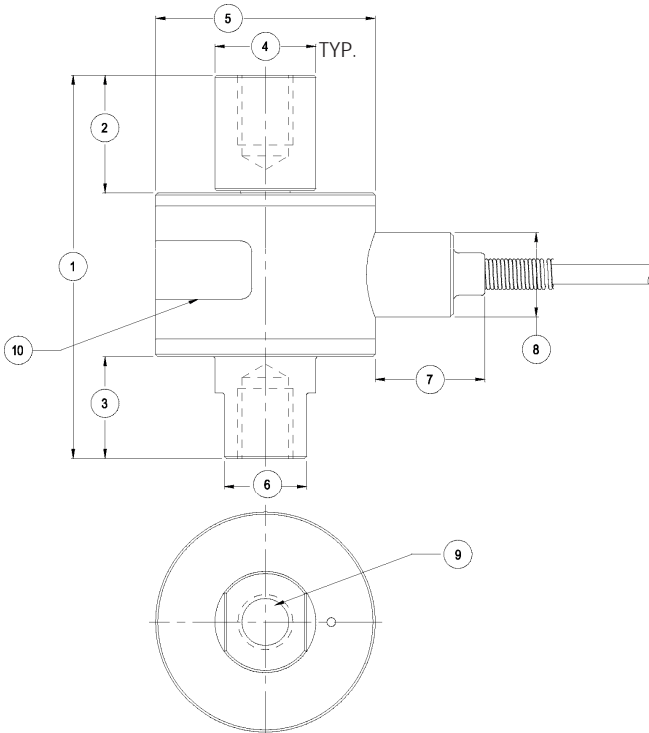
5 ft. Integral Cable

OPTIONS

Extra Cable Length

ACCESSORIES

Instrumentation



SPECIFICATIONS

ACCURACY – MAX	
Nonlinearity-% FS	±0.20
Hysteresis-% FS	±0.20
Nonrepeatability-% RO	±0.05
Creep, in 20 min-%	±0.05
TEMPERATURE	
Compensated Range-°F	15 to 115
Compensated Range-°C	-10 to 45
Operating Range-°F	-65 to 250
Operating Range-°C	-54 to 121
Effect on Output-%/°F – MAX	±0.002
Effect on Zero- % RO/°F – MAX	±0.005
ELECTRICAL	
Rated Output-mV/V (nominal)	2.0
Zero Balance-%RO	±2.0
Bridge Resistance-Ohm (nominal)	350
Excitation Voltage-MAX	15 VDC
Insulation Resistance-Megohm	>5000
MECHANICAL	
Calibration	Tension
Safe Overload-% CAP	800
Cable Length-ft	5

DIMENSIONS

See Drawing	CAPACITY	
	500g, 1000g	
	inch	mm
(1)	1.75	44.5
(2)	0.52	13.2
(3)	0.52	13.2
(4)	0.46	11.7
(5)	1.00	25.4
(6)	0.38	9.5
(7)	0.50	12.7
(8)	0.39	9.9
(9)	0.250-28 UNF X 0.32 Deep	
(10)	Model, Capacity, Serial Number	