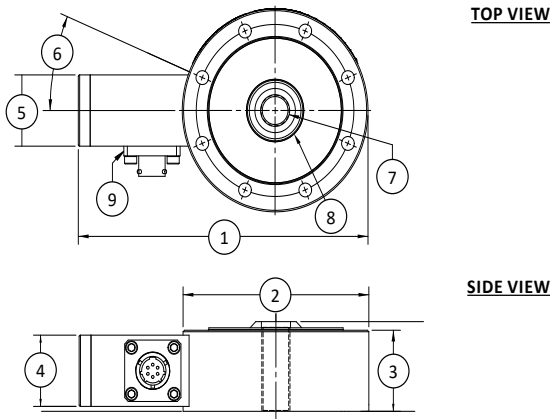


## FEATURES & BENEFITS

- Stainless steel construction
- Sealed connector
- IP68 environmental protection
- Internally amplified 4-20 mA output, loop-powered
- Unipolar (T or C) or bipolar (T and C)
- Zero and span adjustment access
- CE certified
- Explosion protection by Intrinsic Safety (approval pending) per ATEX designation: II 2 G Ex ib IIC T4

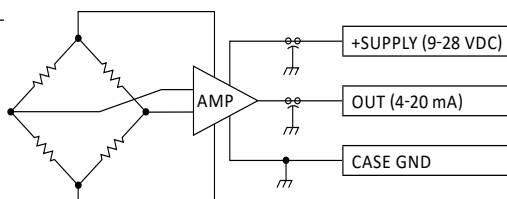
Specially designed load cells with loop-powered intrinsically safe amplified output for use in oil field and other hazardous locations. These load cells are derived from other proven Interface models by adding high resistance strain gages for low-current loop power and shielded internal amplifier for extra low emissions and minimal EMI susceptibility.



## DIMENSIONS

See Drawing	US (in)	Metric (mm)
(1)	6.43	163.4
(2)	Ø4.12	Ø104.7
(3)	1.65	41.9
(4)	1.45	36.8
(5)	1.450	36.83
(6)	22.5°	
(7)	0.90	22.9
(8)	0.625-18 UNF-3B THRU, □ Ø0.65 ± 0.12	0.625-18 UNF-3B THRU, □ Ø16.4 ± 3.0
(9)	1.26	32.0

### FUNCTIONAL DIAGRAM, MODEL 3400



## STANDARD CONFIGURATION



Model 3410 (Shown)

## SPECIFICATIONS

ACCURACY – (MAX ERROR)		
Nonlinearity – %FS		±0.05
Hysteresis – %FS		±0.05
Non-repeatability – %RO		±0.02
Creep, in 30 min – %		±0.03
Side Load Sensitivity – %		±0.25
Eccentric Load Sensitivity		1.0
TEMPERATURE		
Compensated Range	°F	0 to +150
	°C	-18 to +65
Operating Range	°F	-60 to +200
	°C	-50 to +93
Effect on Zero – %RO / °F MAX		±0.002
Effect on Output – %RO / °F MAX		±0.002
ELECTRICAL		
Rated Output – (Nominal) – mA Bipolar		±8.000 ± 0.008
Excitation Voltage – VDC, VDC (Nominal)		+9 to +28, +15
Bridge Resistance – Ω (Nominal)		4000
Zero Balance – %RO		12.000 ± 0.100
Insulation Resistance – MΩ MIN		5000
Loop Resistance – Ω MAX – VDC		0 @ excitation = 9, 950 @ excitation = 28
MECHANICAL		
Safe Overload – %CAP		±150
Ultimate, Axial Load – %CAP		±300
Safe Side Load – %CAP		50
Safe Load Axis Moment – %CAP x 1 in		50
Deflection		0.002
Weight	lbs	3.3
	kg	7
Connector		PTW1H-10-6P
Seal		Environmental
Calibration		T & C
Material		Stainless steel