

## FEATURES & BENEFITS

- Tension and compression
- Environmentally sealed IP65
- Certified for use in hazardous locations when installed per supplied instructions
- High temperature rated, up to 290°F (143°C)
- II 2 GD
- Ex ib IIC T4 Gb (-40° < Ta < 112°C)
- Ex ib IIIC T160°C Db (-40° < Ta < 143°C)



## SPECIFICATIONS

ACCURACY – (MAX ERROR)				
Nonlinearity – %FS		±0.05		
Hysteresis – %FS		±0.03		
Non-repeatability – %RO		± 0.02		
Creep, in 20 min – %		± 0.025		
TEMPERATURE				
Compensated Range	°F	0 to +150		
	°C	-15 to +65		
Operating Range	°F	-40 to +290		
	°C	-40 to +143		
Effect on Output – % MAX	°F	±0.0008		
	°C	±0.0015		
Effect on Zero – %RO MAX	°F	±0.0015		
	°C	±0.0027		
ELECTRICAL				
Rated Output – mV/V (Nominal)		3		
Zero Balance – %RO		±1		
Bridge Resistance – Ohm (Nominal)		350		
Excitation Voltage – VDC MAX		15		
Insulation Resistance – Megohm		> 5000		
MECHANICAL				
Calibration		Tension		
Safe Overload – %CAP		150		
NATURAL FREQUENCY/DEFLECTION				
lbf	N	Deflection		Nat. Freq. (Hz)
		in	mm	
50	200	0.003	0.08	1500
100	500	0.004	0.1	1850
150	700	0.004	0.1	2000
250	1K	0.006	0.15	2350
500	2K	0.005	0.13	2150
750	3K	0.005	0.13	2350
1K	5K	0.005	0.13	3350
2K	10K	0.005	0.13	2400
3K	15K	0.005	0.13	3000
5K	20K	0.005	0.13	2520
Material	50 to 1K lbf	Aluminum		
	200 to 5K N	Aluminum		
	2K to 5K lbf	Alloy steel		
	10K to 20K N	Alloy steel		

Datasheet SSMH v 1.4 03-28-2018

## STANDARD CONFIGURATION



Model SSMH (shown)

INTRINSIC SAFETY ENTITY PARAMETERS	
Ui	20 V
Ii	460 mA
Pi	1.3 W
Ci*	15 nF
Li*	51 µH

\*With up to 300 ft (100 m) cable

## OPTIONS

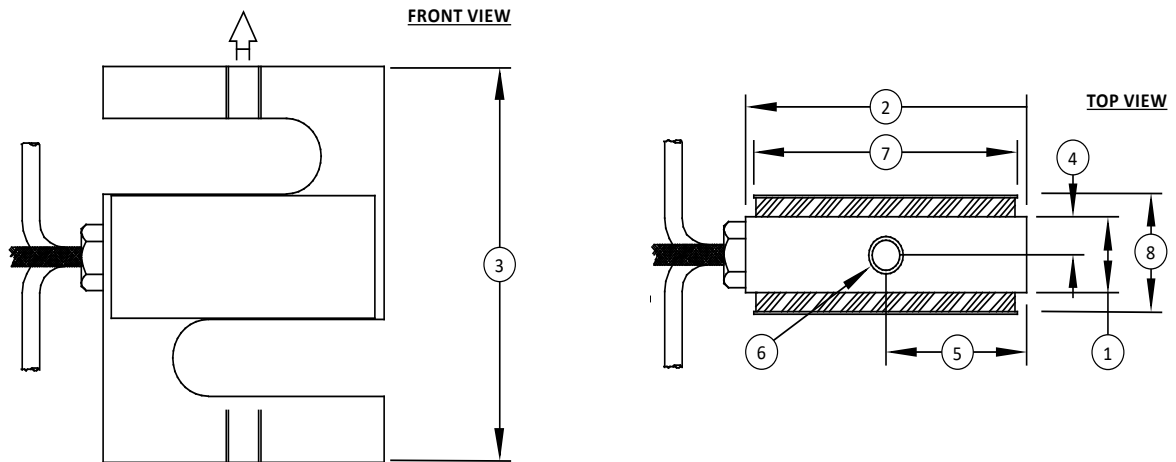
- Cable length
- Transducer Electronic Data Sheet (TEDS)
- Custom calibration
- Standardized output
- Special temperature range
- Add connector to cable

## ACCESSORIES

- Instrumentation

## CONNECTOR OPTIONS

- 15 ft (5 m) cable



## DIMENSIONS

See Drawing	CAPACITY							
	U.S. (lbf)	Metric (N)	U.S. (lbf)	Metric (N)	U.S. (lbf)	Metric (N)	U.S. (lbf)	Metric (N)
	50	200	100, 150, 250	500, 700, 1K	500, 750, 1K, 2K, 3K	2K, 3K, 5K, 10K, 15K	5K	20K
	in	mm	in	mm	in	mm	in	mm
(1)	0.50	12.7	0.50	12.7	1.00	25.4	1.50	38.1
(2)	2.00	50.8	2.00	50.8	2.00	50.8	2.50	63.5
(3)	2.50	63.5	2.50	63.5	3.00	76.2	3.50	88.9
(4)	0.25	6.40	0.25	6.40	0.50	12.7	0.75	19.1
(5)	1.00	25.4	1.00	25.4	1.00	25.4	1.25	31.8
(6)	¼-28 UNF-2B	M6 x 1-6H	¼-28 UNF-2B	M6 x 1-6H	½-20 UNF-2B	M12 x 1.75-6H	¾-18 UNF-2B	M16 x 2-6H
(7)	1.88	47.8	1.88	47.8	1.88	47.8	2.38	60.5
(8)	0.70	17.8	0.70	17.8	1.20	35.0	1.72	43.7