

Wheel Torque Transducer

Model TW10.8

- 3000 lb-ft capacity
- Adapts to 12"-15" wheels
- Environmentally protected
- Temperature compensated
- Rugged stainless steel construction
- Consistent sensitivity among all units
- Configured to minimize magnetic sensitivity



Description

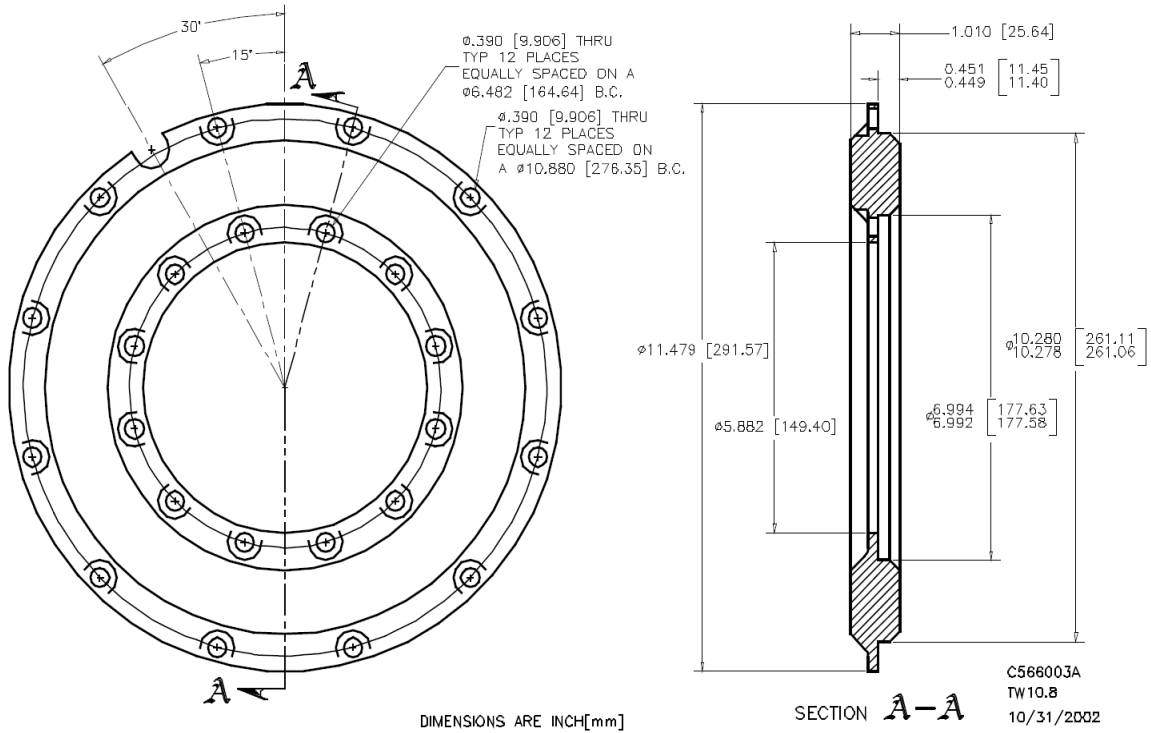
Ideal for measuring wheel torque on passenger cars, the *TW10.8 Wheel Torque Transducer* provides one channel of torque data and is completely weatherproof. It is designed to attach to adapters that simulate production wheel rims. The adapter system is fabricated by generating a profile of the original wheel rim and designing a hub adapter and rim adapter that duplicate the critical dimensions of the original rim. The hub adapter fastens to the interior bolt circle of the torque transducer and the rim adapter fastens to the exterior bolt circle. The versatility of this system allows the torque transducer to be used with various wheel rim designs.

Both the torque and combined steer/camber moment load ratings of the *TW10.8 transducer* are 3000 lb-ft. High grade stainless steel material and weatherproof sealing combine to provide excellent resistance to corrosion and environmental conditions. Temperature compensation of the torque transducer ensures stable output throughout a wide temperature range. In addition, all wires are precisely located to reduce sensitivity to magnetic effects.

Specifications

Maximum Load Capacity	3000 lb-ft (4068 N-m)
Full Scale Load	3000 lb-ft (4068 N-m)
Full Scale Output	1.5 mV/V nominal
Sensor	4 arm strain-gage bridge
Nonlinearity	0.1% of full scale output
Hysteresis	0.05% of full scale output
Bridge Resistance	525 Ω nominal
Temperature Range, Compensated	75°F to 250°F (24°C to 121°C)
Temperature Effect on Zero	0.0008% full scale/ °F (0.0015% full scale/ °C)
Temperature Range, Useable (Short Term)	-40°F to 350°F (-40°C to 177°C)
Temperature Range, Useable (Long Term)	-40°F to 300°F (-40°C to 149°C)
Excitation Voltage, Maximum	10V DC or AC rms
Insulation Resistance, Bridge/Case	Exceeds 5000 M Ω
Output Connector	Bendix PTY02E-8-4P
Mating Connector	Bendix PT06E-8-4S (SR)

TW10.8 Configuration



Ordering Options

Special units are available for high temperature applications.

Custom designs with alternative output sensitivities and load capacities may also be ordered.

Michigan Scientific offers a fully weatherproof slip ring, encoder, and amplifier instrumentation assembly to be used with all Wheel Torque Transducers. Refer to the product literature section "Instrumentation Assemblies" for more information.