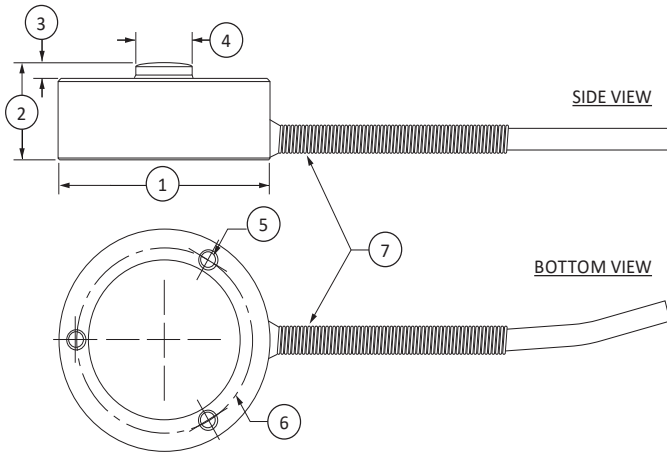


## GLBM SERIES LOAD BUTTON LOAD CELL (METRIC)



### STANDARD CONFIGURATION



#### Model GLBM-200N-N-2 (Shown)

The GLBM Load button load cells are strain gauge based transducers with temperature compensation and excellent overall performance. This type provides a range of capacities up to 200kN with better than  $\pm 0.5\%$  (full scale) non-linearity. Three tapped holes are provided on the underside for ease of mounting. Fully welded cover, amplified and digitized versions are available on request.

### DIMENSIONS

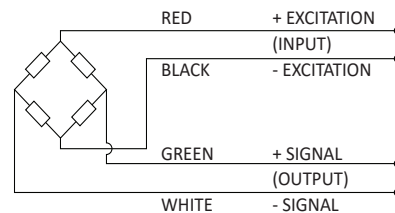
Capacity	100, 200, 500 N	1, 2, 5, 10 kN	15, 20, 50 kN	100, 150 kN	200 kN
(1)	25.4	31.75	38.1	50.3	75.7
(2)	8.13	9.91	16.0	25.4	38.1
(3)	1.27	1.27	2.03	3.05	4.6
(4)	$\varnothing 5.33$	$\varnothing 8.13$	$\varnothing 10.16$	$\varnothing 15.24$	$\varnothing 19.8$
(5)	M3 x $\downarrow$ 5.59	M4 x $\downarrow$ 6.35	M4 x $\downarrow$ 6.35	M4 x $\downarrow$ 6.35	M4 x $\downarrow$ 6.4
(6)	$\varnothing 19.05$	$\varnothing 25.4$	$\varnothing 31.75$	$\varnothing 41.3$	$\varnothing 60.5$
(7)	Strain Relief Spring				

\* All dimensions are in mm.

\*\* This product is not available in the United States.

### WIRING DIAGRAM

- The load button is provided with 4x28 AWG within a braided shielded cable (overall cable length 2m).
- 6-wire cable is available to order.



### SPECIFICATIONS

PARAMETER	RANGE	NOTES
Capacity	100, 200, 500, 1000, 2000, 5k, 10k, 15k, 20k, 50k, 100k, 150k, 200 kN	With metric threads as standard
Allowable maximum load	150% full scale	No effect on performance
Non-linearity	$\pm 0.5\%$ FS MAX	
Hysteresis	$\pm 0.3\%$ FS MAX	
Repeatability	$\pm 0.1\%$ FS MAX	
Total error	$\pm 0.8\%$ FS MAX	Non-linearity and hysteresis
Zero balance	2% FS MAX	
Zero temp coefficient	0.01% FS / °C	
Span temp coefficient	0.02% FS / °C	
Compensated temperature range	-15 °C TO 70 °C	Wider range available to order
Operating temperature range	-20 °C TO 80 °C	Wider range available to order
Output	2mV/V Nominal (1mV/V for 100N)	Amplified and digitized versions available to order
IP Rating	IP64 – Bonded Cover	Bonded cover is standard.
Excitation	5V Recommended, 10V Max	
Bridge resistance	350 Ohms – (100N – 500N) 700 Ohms – above 1kN	