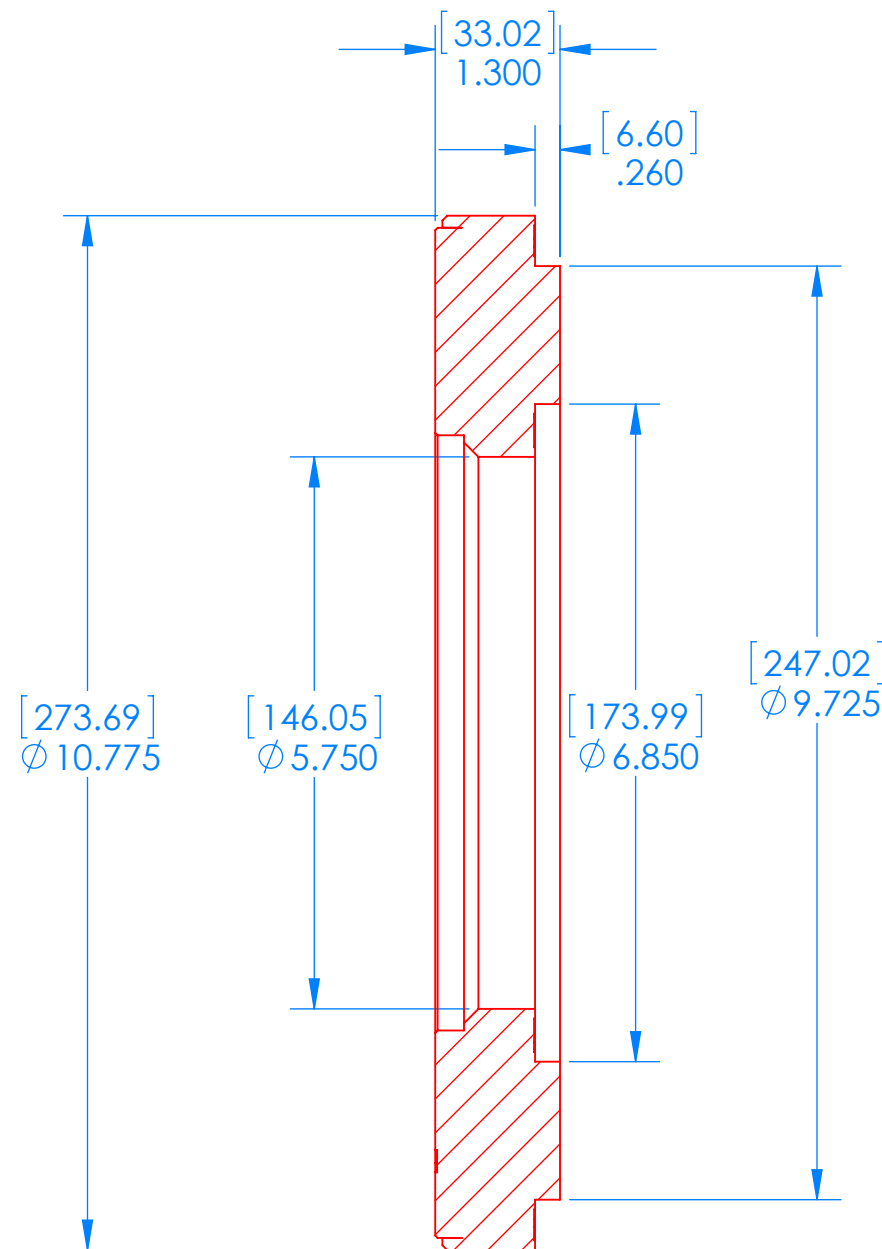
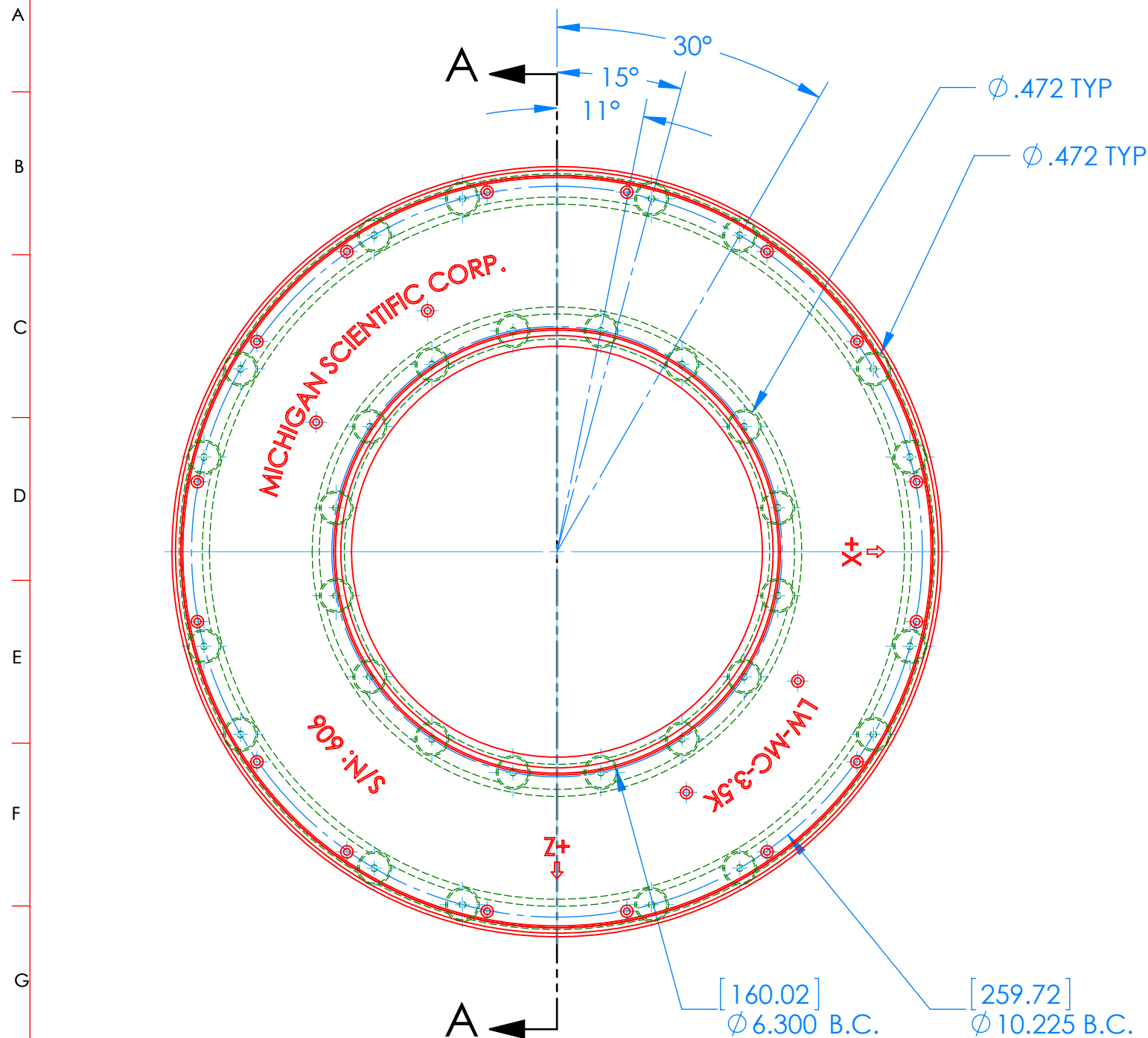



1008030



SECTION A-A
SCALE 1 : 2

PRELIMINARY

UNLESS OTHERWISE SPECIFIED:		DATE	NAME	 MICHIGAN SCIENTIFIC CORPORATION 8500 ANCE ROAD CHARLEVOIX, MICHIGAN 49720 www.michsci.com	
DIMENSIONS ARE IN INCHES		DRAWN	06/29/17		GRJ
TOLERANCES:		CHECKED	-		-
.XXXX ±.0010 .XXX ±.005 .XX ±.01 FRACTIONAL ± ANGULAR: MACH± BEND ±		ENG APPR.	-		-
WEIGHT		MFG APPR.	-	-	PRODUCT LINE: CUSTOMER CODE: MSC PROJECT CODE: LW-MC-3.5K DESCRIPTION: LW-MC-3.5K (CUSTOMER MODEL)
2.609		PROPRIETARY AND CONFIDENTIAL THE INFORMATION CONTAINED IN THIS DRAWING IS THE SOLE PROPERTY OF MICHIGAN SCIENTIFIC CORPORATION. ANY REPRODUCTION IN PART OR AS A WHOLE WITHOUT THE WRITTEN PERMISSION OF MICHIGAN SCIENTIFIC CORPORATION IS PROHIBITED.		SIZE DWG. NO. REV B 1008030 +	
MATERIAL Material <not specified>		SCALE: 1:4		SHEET 1 OF 1	
FINISH					