

WSSB WELDED STAINLESS STEEL IP68 ENVIRONMENT PROTECTED S-BEAM (U.S. & METRIC)

The WSSB S-Beam load cell series is ideal for measuring both tension and compressive forces. The standard metric threads at each end of the load cell are designed to accept standard spherical seating rod-end bearings.

The WSSB is suitable for many applications where a tension and compression load cell is required for high accuracy measurements. Applications such as vessel weighing, material test machines, and dynamometers are a few examples.

The WSSB series can be supplied on its own or combined with our extensive range of instrumentation to provide a complete load monitoring system.

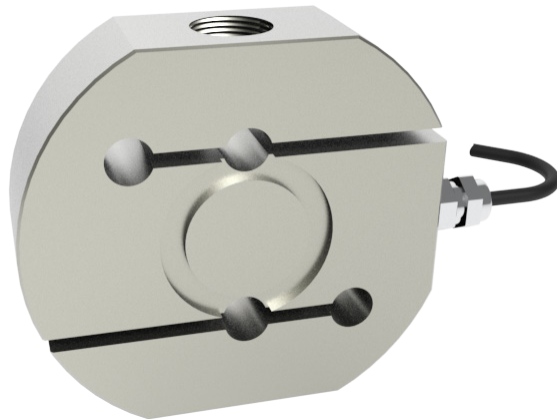
FEATURES & BENEFITS

- Capacities from 250kg to 20MT (551 lbf to 44.1K lbf)
- Stainless steel fully welded construction
- Environmentally sealed to IP68
- Can be supplied complete with mating spherical rod-end bearings

SPECIFICATIONS

Rated load	kg	250, 500
	MT	1, 2, 5, 10, 20
	lbf	551, 1.1K, 2.2K, 4.4K, 11K, 22K, 44.1K
Proof load		150% of rated load
Ultimate breaking load		>300% of rated load
Output		2mV/V at rated load ($\pm 0.25\%$)
Accuracy		$< \pm 0.03\%$ of rated load
Non-repeatability		$< \pm 0.01\%$ of rated load
Excitation voltage		10 VDC recommended, 15 VDC maximum
Bridge resistance		350 Ω
Insulation resistance		500 meg ohms at 100 VDC
Operating temperature range	$^{\circ}\text{F}$	-4 to 140
	$^{\circ}\text{C}$	-20 to 60
Compensated temperature range	$^{\circ}\text{F}$	14 to 104
	$^{\circ}\text{C}$	-10 to 40
Storage temperature range	$^{\circ}\text{F}$	-4 to 140
	$^{\circ}\text{C}$	-20 to 60
Zero temperature coefficient		$< \pm 0.0028\%$ of rated load/ $^{\circ}\text{C}$
Span temperature coefficient		$< \pm 0.0012\%$ of rated load/ $^{\circ}\text{C}$
Environmental protection level		IP68
Connection type		4 m shielded cable

STANDARD CONFIGURATION



MODEL WSSB-1MT (Shown)

OPTIONS

- Spherical seating rod end bearings
- TEDS option (when used with model 9320)

TYPICAL APPLICATIONS

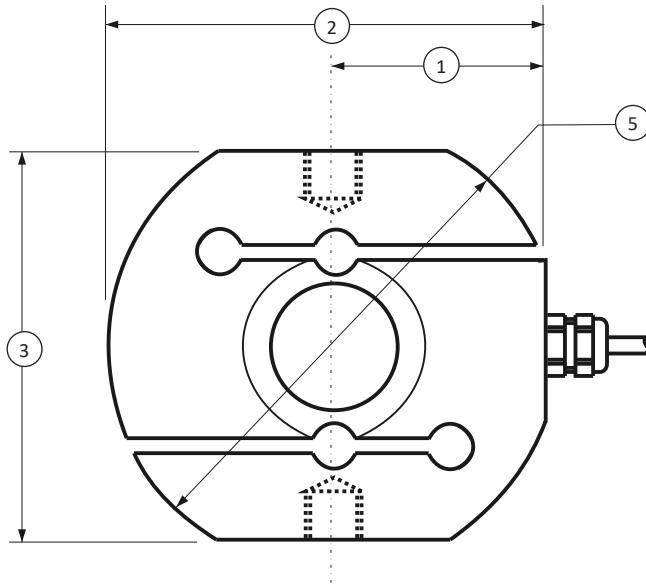
- Vessel weighing
- Hanging scales
- Multi-point structural weighing
- Material/tensile test machines
- General force measurement

WIRING DIAGRAM

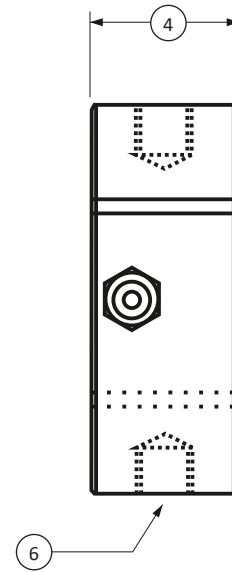
Red	+ Supply
Blue	- Supply
Green	+ Signal
Yellow	- Signal

WSSB WELDED STAINLESS STEEL IP68 ENVIRONMENT PROTECTED S-BEAM (U.S. & METRIC)

FRONT VIEW



SIDE VIEW



DIMENSIONS

See Drawing	CAPACITY													
	Metric (kg)	U.S. (lbf)	Metric (kg)	U.S. (lbf)	Metric (MT)	U.S. (lbf)	Metric (MT)	U.S. (lbf)	Metric (MT)	U.S. (lbf)	Metric (MT)	U.S. (lbf)	Metric (MT)	U.S. (lbf)
	250	551	500	1.1K	1	2.2K	2	4.4K	5	11K	10	22K	20	44.1K
	mm	in	mm	in	mm	in	mm	in	mm	in	mm	in	mm	in
(1)	35	1.38	35	1.38	45	1.77	45	1.77	57.5	2.26	65	2.56	88	3.46
(2)	72.5	2.85	72.5	2.85	95	3.74	95	3.74	120	4.72	141	5.55	188	7.4
(3)	70	2.75	70	2.75	95	3.74	95	3.74	120	4.72	145	5.7	190	7.48
(4)	24.5	0.96	24.5	0.96	30	1.18	30	1.18	40	1.57	55	2.16	70	2.75
(5)	∅75	∅2.95	∅75	∅2.95	∅100	∅3.94	∅100	∅3.94	∅125	∅4.92	∅152	∅5.98	∅200	∅7.87
(6)	M12 X 1.75		M12 X 1.75		M20 X 1.5		M20 X 1.5		M24 X 2		M30 X 2		M45 X 3	
Weight	Metric (kg)	U.S. (lbs)	Metric (kg)	U.S. (lbs)	Metric (kg)	U.S. (lbs)	Metric (kg)	U.S. (lbs)	Metric (kg)	U.S. (lbs)	Metric (kg)	U.S. (lbs)	Metric (kg)	U.S. (lbs)
	0.8	1.76	0.8	1.76	1.7	3.75	1.7	3.75	3.6	7.93	6.5	14.33	15	33.07
Resolution	00.02		0.05		0.1		0.2		0.5		1		2	